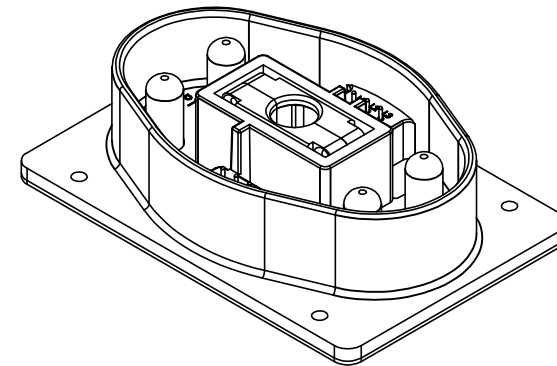
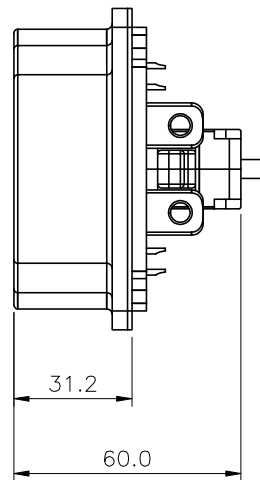
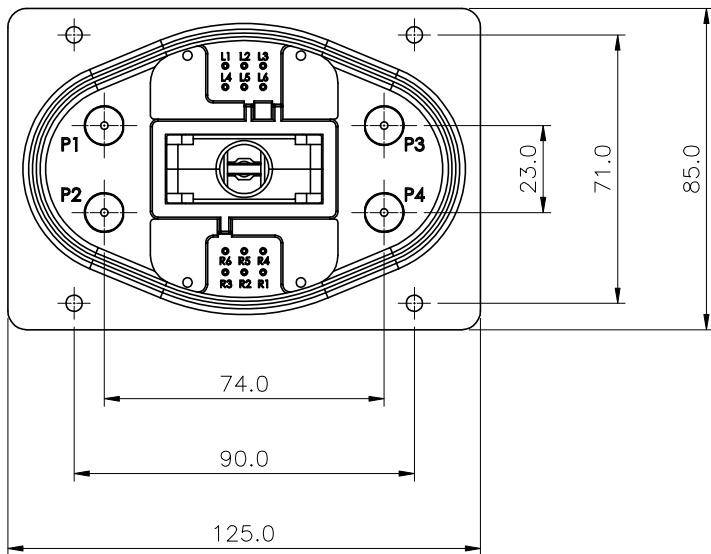


Material:


- * Base: High Temperature Plastic UL 94V-0 Orange Color
- * Cover: High Temperature Plastic UL 94V-0 Orange Color
- * Power Pin: Copper
- * Signal Pin: Copper Alloy

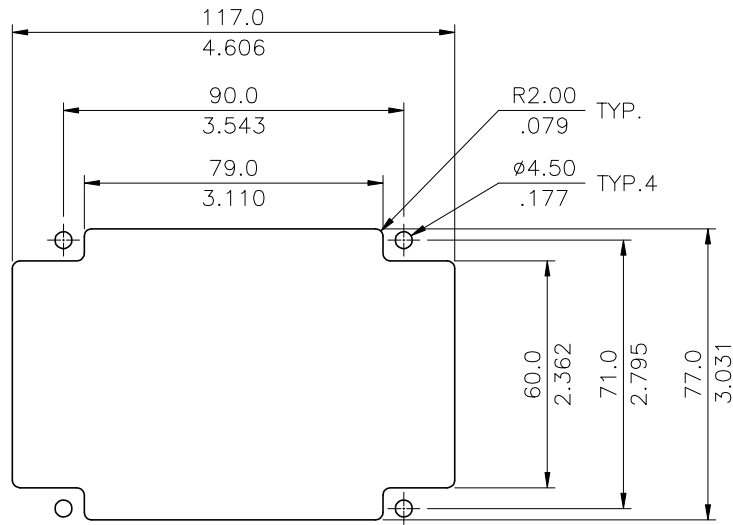
Characteristics:

- * Rated current: 150A
- * Rated voltage: 1000V AC/DC
- * Dielectric strength: 4250V AC
- * Durability: 3,000 cycles
- * Locking force: > 40 kgf
- * Operating Temperature: -40°C ~ 125°C
- * The products reserve the right to modify

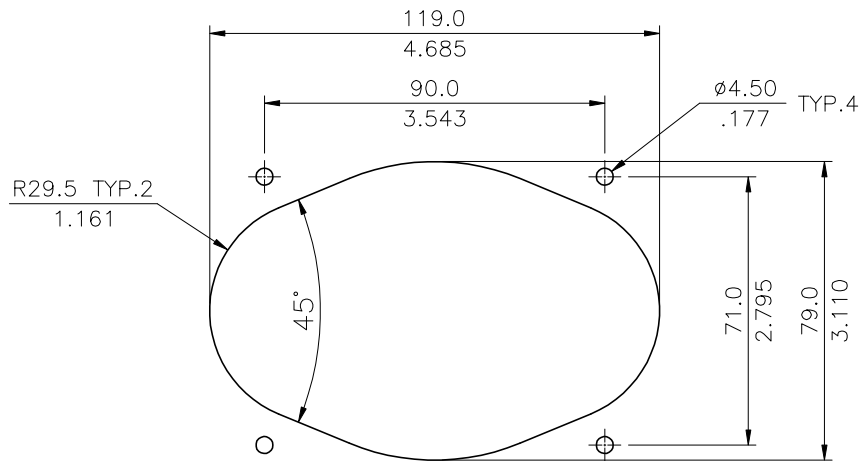


RoHS Compliant

4					DATE	UNIT: mm / inch	TITLE:	 瀚荃股份有限公司 CviLux Corporation
3				DRAWN BY: Clark	11/18-22'	TOLERANCE UNLESS OTHERWISE SPECIFIED .X ± 0.50/.020 X' ± 1" .XX ± 0.30/.012 .X' ±	MATERIAL:	
2				ENGINEER: Clark	11/18-22'		.XXX ± 0.20/.008 .XX' ±	
1				CHECKED BY: Eisley	11/18-22'	DRAWING NO. CPF101S3		
SYM	NAME	DATE	REVISIONS	APPROVED BY: Eisley	11/18-22'	SCALE 1 / 2	SHEET 1 OF 3	



Recommended Panel Cutout (Front Mounting)



Recommended Panel Cutout (Rear Mounting)

Ordering Code

CPF1 4 150 S P A 9 4 B P 1 - A
 ① ② ③ ④ ⑤ ⑥ ⑦ ⑧ ⑨ ⑩ ⑪ ⑫

- ① Series No.
- ② No. of power pin: 4,2
- ③ Current: 150= 150A (Per pin)
300= The two assigned pins of the connector (P1 and P2, P3 and P4) can be connected for parallel output to increase the total current up to 300A.
- ④ Power pin plating: S= Silver plated
- ⑤ Connector Type: S= Receptacle
P= Plug
- ⑥ Signal Type:
A= 6+6
B= 6+USB C(USB3.2 Gen2)
C= 6+0
- ⑦ Signal Pin plating:
9= 5μ" Gold plated over 50μ" Nickel
- ⑧ Insulator color: 4= Orange
- ⑨ Lock Type:
0= W/O Lock(2 in 1 Series)
A= With Lock(Two-way Solenoid valve)
B= With Lock(One-way Solenoid valve)
- ⑩ Prevention key option: 0= W/O key
P= With key
- ⑪ Options: 0= Front & Rear Mounting all available
1= Front Mounting
2= Rear Mounting
- ⑫ Product Safety Certification:
-0 for UL 1977
-A for UL 4128 (See Back View A)
-B for UL 4128 (See Back View B)

RoHS Compliant

④					DATE	UNIT: mm / inch	TITLE:	瀚荃股份有限公司 CviLux Corporation	
③				DRAWN BY: Clark	11/18-22'	TOLERANCE UNLESS OTHERWISE SPECIFIED	MATERIAL:		
②				ENGINEER: Clark	11/18-22'	.X ± 0.50/.020 X.* ± r'	DRAWING NO. CPF101S3 PART NO. CPF14150SPA94BP1-0 CPF14150SPA94BP1-A CPF14300SPA94BP1-B		
①				CHECKED BY: Eisley	11/18-22'	.XX ± 0.30/.012 .X.* ±			FINISH:
SYM	NAME	DATE	REVISIONS	APPROVED BY: Eisley	11/18-22'	.XXX ± 0.20/.008 .XX.* ±			SCALE 1 / 2 SHEET 2 OF 3

For UL 1977

P/N: CPF14150SSA94BP1-0

For UL 4128

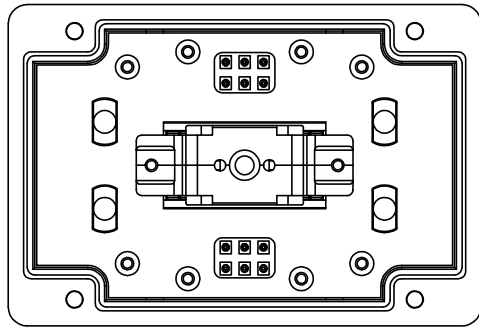
P/N: CPF14150SSA94BP1-A

For UL 4128

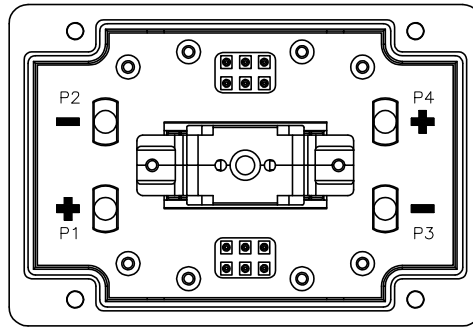
P/N: CPF14300SSA94BP1-B

Recommended Application

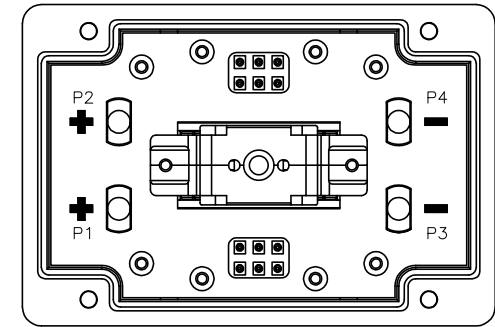
Recommended Application
(Parallel Mode)



BACK VIEW




BACK VIEW A



BACK VIEW B

RoHS Compliant

4					DATE	UNIT: mm / inch	TITLE:	 瀚荃股份有限公司 CviLux Corporation	
3				DRAWN BY: Clark	11/18-22'	TOLERANCE UNLESS OTHERWISE SPECIFIED	MATERIAL:		
2				ENGINEER: Clark	11/18-22'	.X ± 0.50/.020 X' ± r'	FINISH:		
1				CHECKED BY: Eisley	11/18-22'	.XX ± 0.30/.012 .X' ±			
SYM	NAME	DATE	REVISIONS	APPROVED BY: Eisley	11/18-22'	.XXX ± 0.20/.008 .XX' ±	DRAWING NO. CPF101S3		PART NO. CPF14150SPA94BP1-0 CPF14150SPA94BP1-A CPF14300SPA94BP1-B
								SCALE 1 / 2	SHEET 3 OF 3