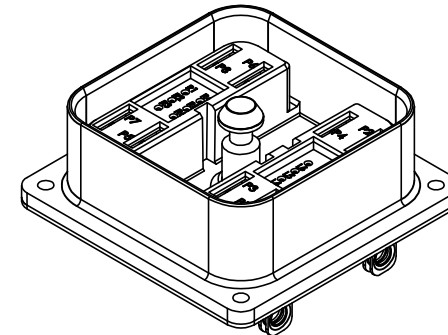
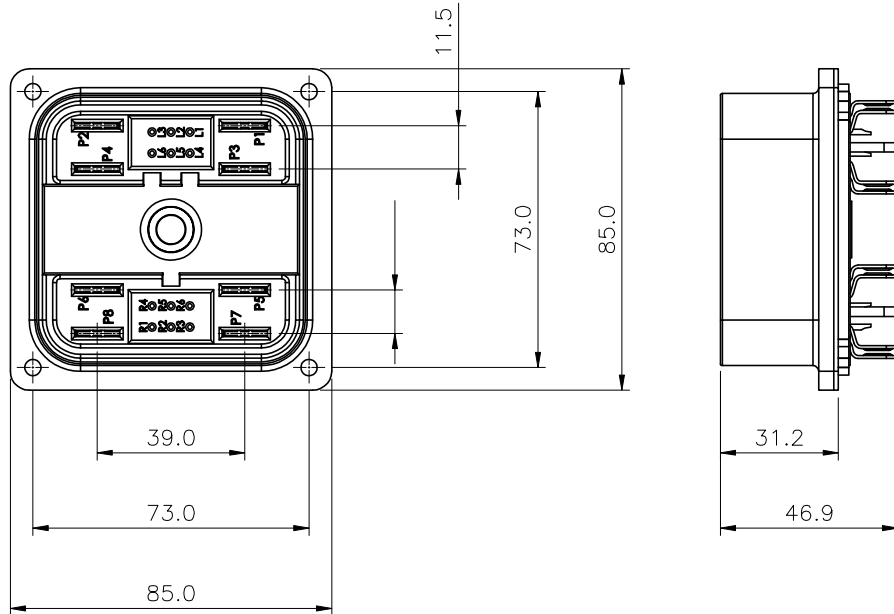


- * Base: High Temperature Plastic UL 94V-0 Orange Color
- * Cover: High Temperature Plastic UL 94V-0 Orange Color
- * Power Pin: Copper
- * Signal Pin: Copper Alloy

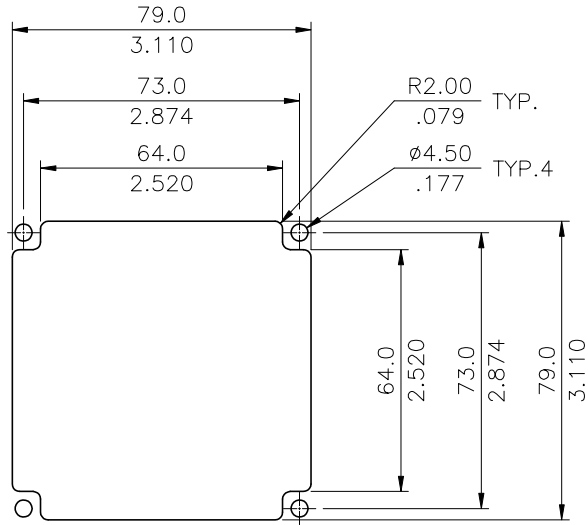
Characteristics:

- * Rated current: 75A
- * Rated voltage: 400V AC/DC
- * Dielectric strength: 1800V AC
- * Durability: 500 cycles
- * Locking force: > 40 kgf
- * Operating Temperature: -40°C ~ 125°C
- * The products reserve the right to modify

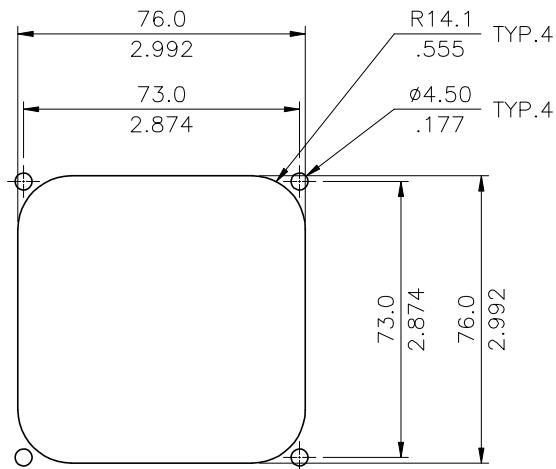


RoHS Compliant

4					DATE	UNIT: mm / inch	TITLE:	瀚荃股份有限公司 CviLux Corporation			
3				DRAWN BY: Clark	11/18-22'	TOLERANCE UNLESS OTHERWISE SPECIFIED	MATERIAL:				
2				ENGINEER: Clark	11/18-22'	.X ± 0.30/.012 .X' ± r'	DRAWING NO. CPF202S3 PART NO. CPF28075SSA94BP1-0 CPF28075SSA94BP1-A				
1				CHECKED BY: Eisley	11/18-22'	.XX ± 0.20/.008 .X' ±					
SYM	NAME	DATE	REVISIONS	APPROVED BY: Eisley	11/18-22'	.XXX ± 0.10/.004 .XX' ±			FINISH:		
								SCALE	1 / 2	SHEET	1 OF 3



Recommended Panel Cutout (Front Mounting)



Recommended Panel Cutout (Rear Mounting)

Ordering Code

CPF2 8 075 S S A 9 4 B P 1 - A
 ① ② ③ ④ ⑤ ⑥ ⑦ ⑧ ⑨ ⑩ ⑪ ⑫

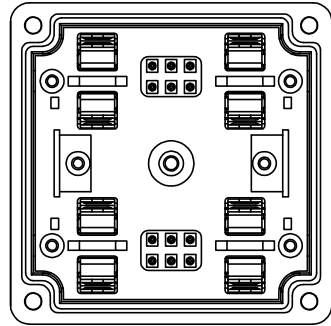
- ① Series No.
- ② No. of power pin: 8, 4
- ③ Current per pin: 075= 75A
- ④ Power pin plating:
S= Silver plated
- ⑤ Connector Type: S= Receptacle
P= Plug
- ⑥ Signal Type:
A= 6+6
B= 6+USB C(USB3.2 Gen2)
C= 6+0
- ⑦ Signal pin plating:
9= 5 μ " Gold plated over 50 μ " Nickel
- ⑧ Insulator color: 4= Orange
- ⑨ Lock Type:
0= W/O Lock
A= With Lock(Two-way Solenoid valve)
B= With Lock(One-way Solenoid valve)
- ⑩ Prevention key option:
0= W/O key
P= With key
- ⑪ Options: 0= Front & Rear Mounting all available
1= Front Mounting
2= Rear Mounting
- ⑫ Product Safety Certification:
-0 for UL 1977
-A for UL 4128 (See Back View A)

RoHS Compliant

④					DATE	UNIT: mm / inch	TITLE:	瀚荃股份有限公司 CviLux Corporation					
③				DRAWN BY: Clark	11/18-22'	TOLERANCE UNLESS OTHERWISE SPECIFIED	MATERIAL:						
②				ENGINEER: Clark	11/18-22'	.X \pm 0.30/.012 X' \pm r'							
①				CHECKED BY: Eisley	11/18-22'	.XX \pm 0.20/.008 .X' \pm	FINISH:						
SYM	NAME	DATE	REVISIONS	APPROVED BY: Eisley	11/18-22'	.XXX \pm 0.10/.004 .XX' \pm		DRAWING NO. CPF202S3	PART NO. CPF28075SSA94BP1-0 CPF28075SSA94BP1-A				
								SCALE	1 / 2	SHEET	2	OF	3

For UL 1977

P/N: CPF28075SSA94BP1-0

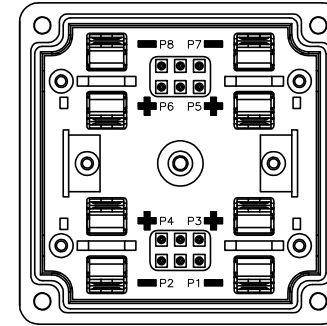


BACK VIEW

For UL 4128


P/N: CPF28075SSA94BP1-A

Recommended Application



BACK VIEW A

RoHS Compliant

4					DATE	UNIT: mm / inch		TITLE:	 瀚荃股份有限公司 CviLux Corporation
3				DRAWN BY: Clark	11/18-22'	TOLERANCE UNLESS OTHERWISE SPECIFIED		MATERIAL:	
2				ENGINEER: Clark	11/18-22'	.X ± 0.30/.012	X.* ± r	DRAWING NO. CPF202S3 PART NO. CPF28075SSA94BP1-0 CPF28075SSA94BP1-A	
1				CHECKED BY: Eisley	11/18-22'	.XX ± 0.20/.008	.X* ±		
SYM	NAME	DATE	REVISIONS	APPROVED BY: Eisley	11/18-22'	.XXX ± 0.10/.004	.XX* ±		
									SCALE 1 / 2 SHEET 3 OF 3