

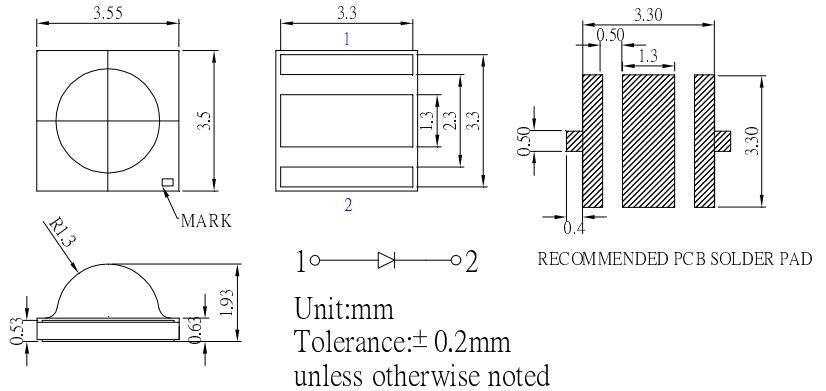
■Features

- RoHS and REACH-compliant
- MSL 6 qualified according to J-STD 020
- Water Clear Type(M/W: Yellow Diffused)

■Applications

- Read lights (car, bus, aircraft)
- Portable (flashlight, bicycle)
- Bollards / Security / Garden Traffic signaling / Beacons
- In door / Out door Commercial lights
- Automotive Ext

■Outline Dimension

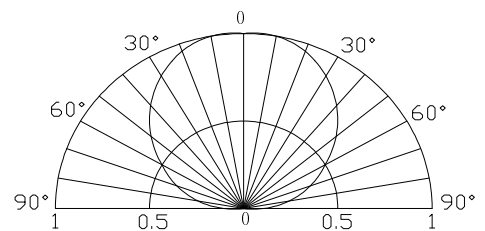


■Absolute Maximum Rating

(Ta=25°C)

Item	Symbol	Value		Unit
		M/W/B/PG	R	
DC Forward Current	I _F	700	700	mA
Pulse Forward Current#	I _{FP}	1000	1000	mA
Reverse Voltage	V _R	5	5	V
Power Dissipation	P _D	2800	2100	mW
Operating Temperature	Topr	-30 ~ +80		°C
Storage Temperature	Tstg	-40~ +80		°C
Lead Soldering Temperature	Tsol	240°C /5sec		-

■Directivity



#Pulse width Max.10ms Duty ratio max 1/10

■Electrical -Optical Characteristics

(Ta=25°C)

Part Number	Color		V _F (V)			I _R (μA)	Φ _v (LM)			CCT(K)			2θ1/2(deg)
			Min.	Typ.	Max.	Max.	Min.	Typ.	Max.	Min.	Typ.	Max.	Typ.
			I _F =700mA			V _R =5V		I _F =700mA					
OSM53535C1H-700MA	Warm White	M	-	3.3	4.0	10	180	200	-	2700-3000-3300K			120
OSW43535C1H-700MA	White	W	-	3.3	4.0	10	180	200	-	5500-6000-6500K			120
OSB43535C1H-700MA	Blue	B	-	3.3	4.0	10	30	40	-	455	460	465	120
OSG53535C1H-700MA	Pure Green	PG	-	3.3	4.0	10	160	180	-	515	525	530	120
OSR53535C1H-700MA	Red	B	-	2.3	3.0	10	60	80	-	620	625	630	120

*1 Tolerance of measurements of forward voltage is ±0.1V

*2 Tolerance of measurements of Luminous Flux is ±15%

*3 Tolerance of measurements of dominant wavelength is ±1nm

*4 Tolerance of measurements of Color temperature is ±10%

Note: Don't drive at rated current more than 5s without heat sink for Xeon 3 emitter series.

■ **Soldering Heat Reliability:**

- Reflow soldering Profile
- Reflow soldering should not be done more than two times.
- When soldering, do not put stress on the LEDs during heating.
- After soldering, do not warp the circuit board.
- Repairing should not be done after the LEDs have been soldered. When repairing is unavoidable, a double-head soldering iron should be used. It should be confirmed beforehand whether the characteristics of the LEDs will or will not be damaged by repairing.

Solder
Average ramp-up rate = 3°C/sec. max.
Preheat temperature: 150°~180°C
Preheat time = 120 sec. max.
Ramp-down rate = 6°C/sec. max.
Peak temperature = 220°C max.
Time within 3°C of actual peak temperature = 25 sec. max.
Duration above 200°C is 40 sec. max.

